



5 60 446 0

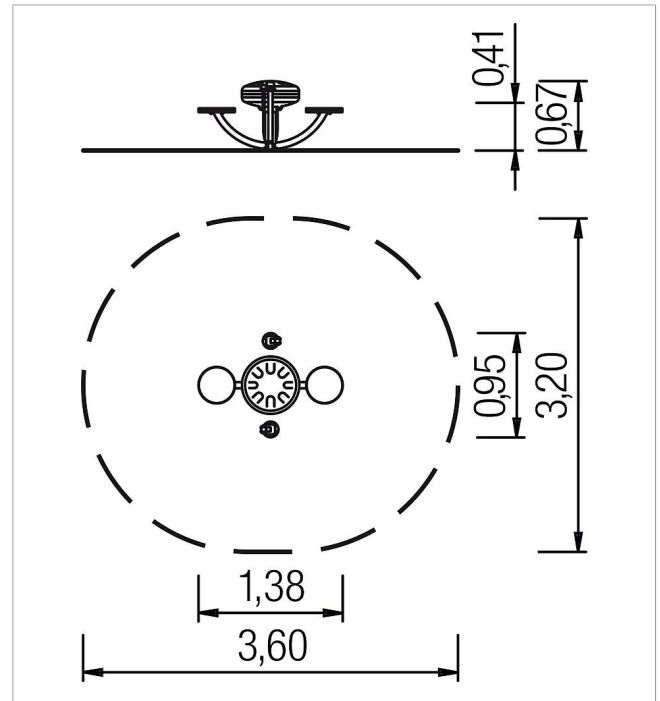
## basis Sound island Duet

made in germany

3+

### Scope of delivery

1x sound island Duet: powder-coated steel, stainless steel (V2A), polyethylene sheet (HDPE)



	Material	Powder-coated steel, stainless steel, HDPE
	Foundation level	FL 3
	Minimum space	439x412x180 cm
	Free falling height	-
	Impact protection net	-
	Foundations	3x CF
	Largest section	139x112x67 cm