

5 56 066 0

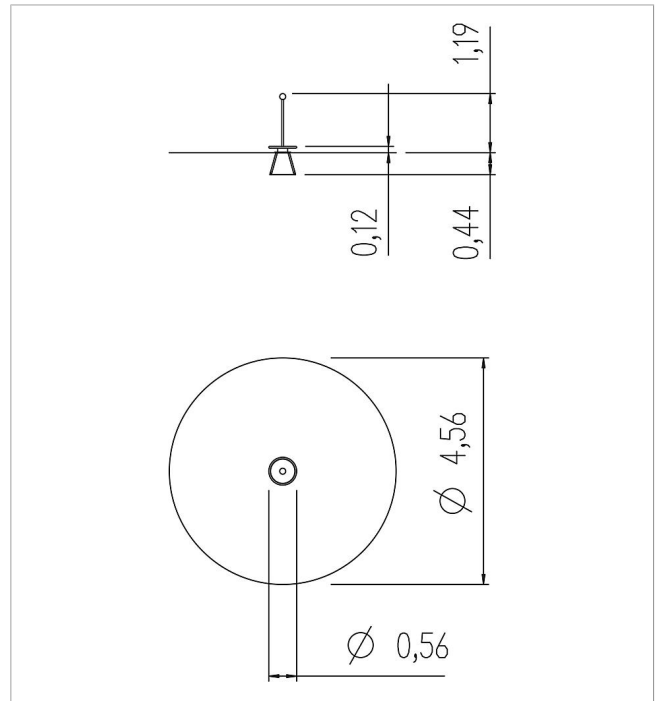
Basis Stand-up roundabout Venus Ø 50 cm

made in germany



Scope of delivery

- 1x mounting panel: stainless steel
- 1x bearing: Ball/conical roll bearing
- 1x bottom plate Ø 50 cm: stainless steel, rubber
- base structure: stainless steel



	Material	Stainless steel
	Foundation level	FL 3
	Minimum space	Ø 456x320 cm
	Free falling height	12 cm
	Impact protection net	34,0 m ²
	Foundations	1x CF
	Assembly	2 persons/2 h
	Largest section	Ø 56x119 cm
	Heaviest section	9 kg