

5 55 194 0410 0

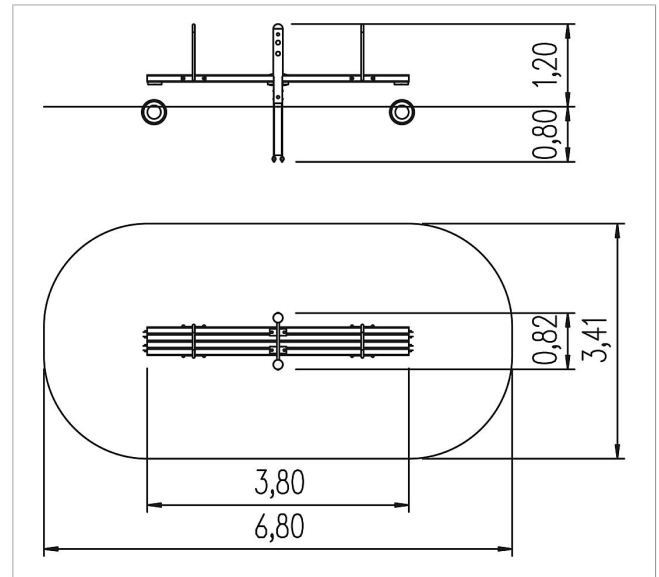
unique stand-up  
seesaw

made in germany



### Scope of delivery

1x see-saw beam: SW  
2x standing posts: SW  
2x grab handle: steel powder-coated  
4x tyres: rubber  
post bases: steel galvanised  
bearing: brass



	Material	Larch
	Foundation level	FL 3
	Minimum space	680x341x252 cm
	Free falling height	72 cm
	Impact protection net	21,5 m <sup>2</sup>
	Foundations	1x CF
	Assembly	2 persons/2 h
	Largest section	380x50x14 cm
	Heaviest section	70 kg