



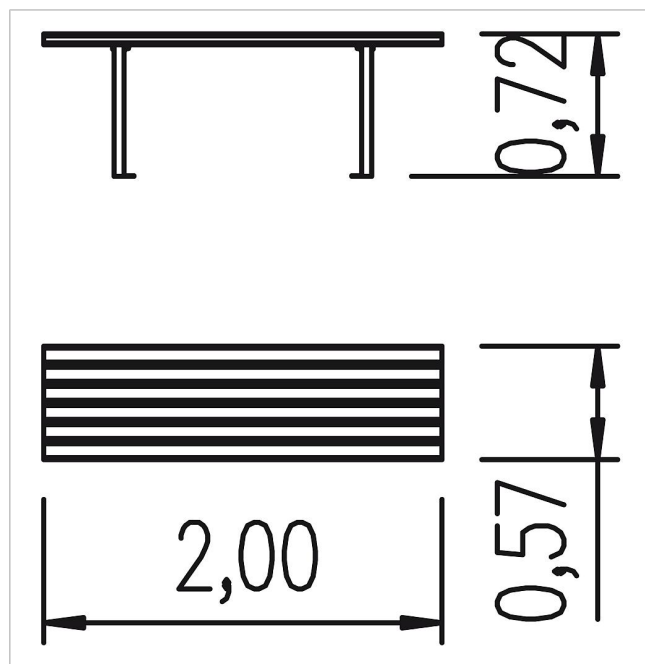
5 60 088 0

Basis Table for park bench Monika

made in germany

Scope of delivery

2x table frame: galvanised steel
1x table surface: SW



	Material	Steel, SW glazed
	Minimum space	200x57x72 cm
	Free falling height	72 cm
	Impact protection net	-
	Foundations	4x CF