



5 25 089 0110 0

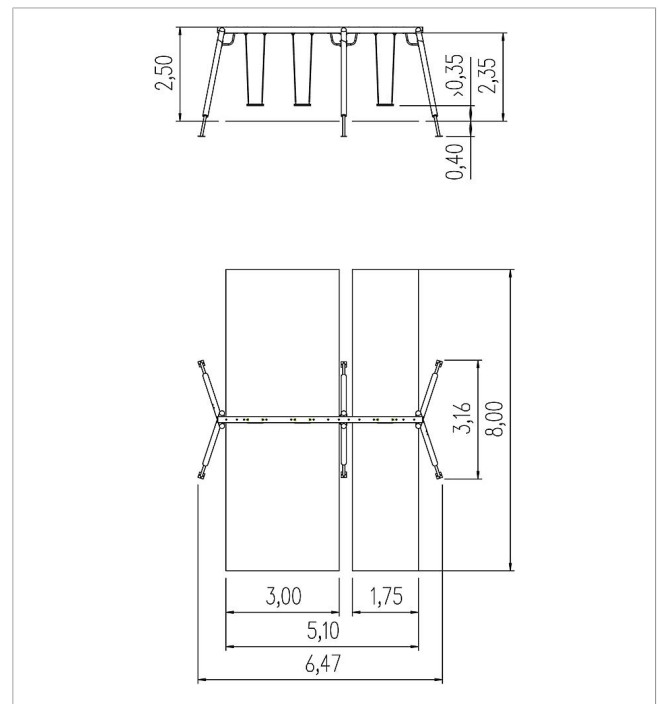
unique triple swing Eagle without swing seats

made in germany



Scope of delivery

1x swing frame: SW, galvanised steel
post shoes: galvanised steel



	Material	SW pi
	Foundation level	FL 1
	Minimum space	800x647x380 cm
	Free falling height	-
	Impact protection net	41,5 m ²
	Foundations	6x CF or 6x PFs + 6x CF
	Assembly	2 persons/4 h
	Largest section	530xØ 16 cm
	Heaviest section	50 kg