



5 10 150 0110 0

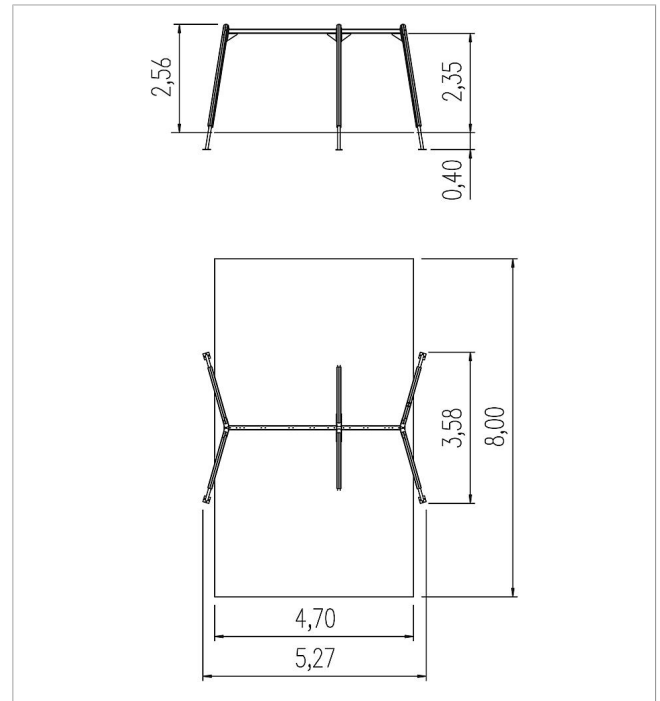
playo triple swing frame Kondor

made in germany

3+

Scope of delivery

6x post with post shoe: pine, galvanised post shoes
2x swing beam: galvanised steel



	Material	SW pi
	Foundation level	FL 1
	Minimum space	800x527x317 cm
	Free falling height	137 cm
	Impact protection net	38,0 m ²
	Foundations	6x CF or 6x PFs
	Assembly	2 persons/2 h
	Largest section	239x54x33 cm
	Heaviest section	45 kg