

5 40 120 1012 6

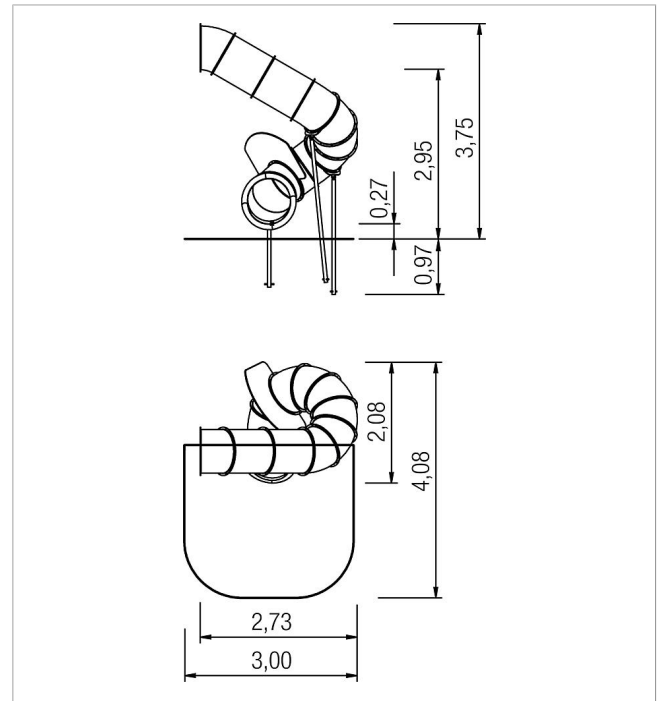
**Basis Tubular add-on slide 270 degree, spiralled to left, ph 295**


made in germany  
**cm**

3+

### Scope of delivery

1x tubular spiralled add-on slide ph 295 cm: GFRP



	Material	GFRP red
	Foundation level	FL 3
	Minimum space	295x409x475 cm
	Free falling height	27 cm
	Impact protection net	7,5 m <sup>2</sup>
	Foundations	3x CF
	Largest section	Ø 84x80 cm