



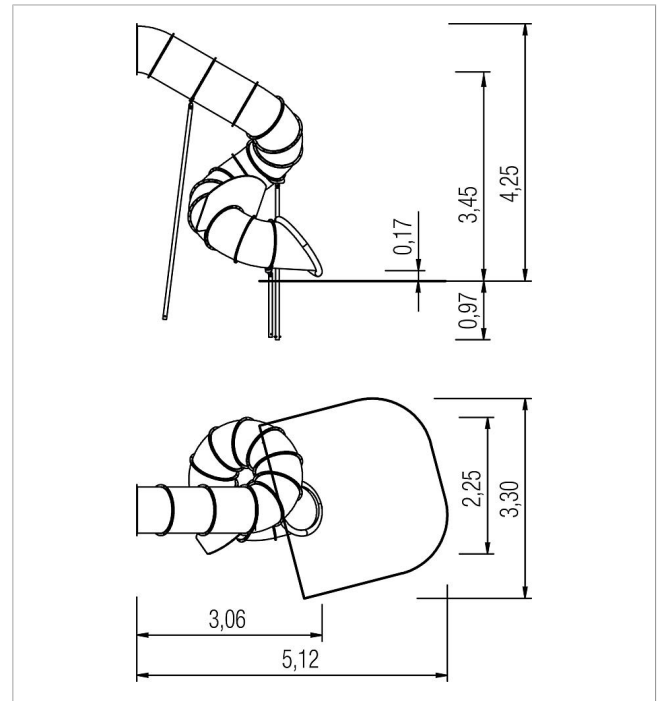
5 40 121 1013 1
Basis Tubular add-on slide 360 degree, spiralled to left, ph 345 cm

made in germany

3⁺

Scope of delivery

1x tubular spiralled add-on slide ph 345 cm: GFRP



| | | |
|--|-----------------------|--------------------|
| | Material | GFRP iguana |
| | Foundation level | FL 3 |
| | Minimum space | 512x330x525 cm |
| | Free falling height | 17 cm |
| | Impact protection net | 7,5 m ² |
| | Foundations | 3x CF |
| | Largest section | Ø 84x80 cm |