

5 40 116 1013 1

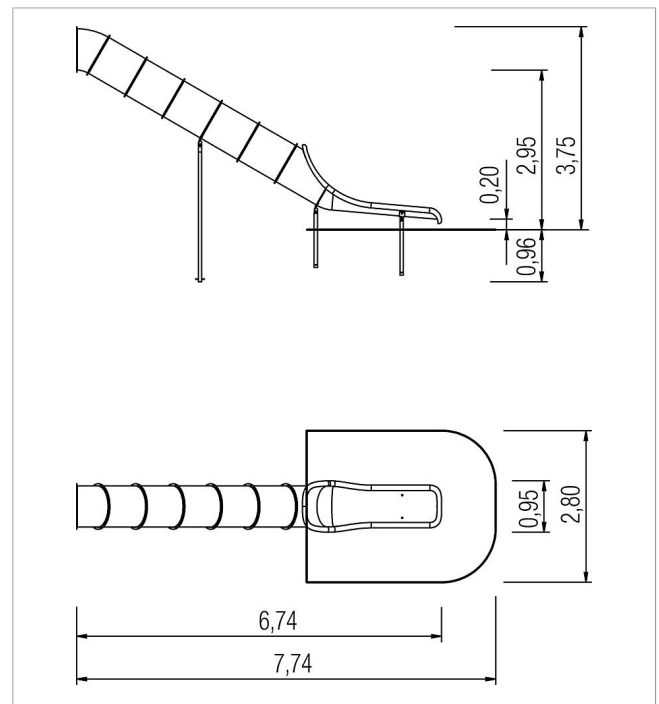
**Basis Tubular add-on
slide straight, ph 295
cm**

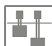




made in germany

3+

Scope of delivery

1x tubular add-on slide ph 295 cm: GFRP



	Material	GFRP iguana
	Foundation level	FL 3
	Minimum space	774x280x475 cm
	Free falling height	20 cm
	Impact protection net	9,5 m ²
	Foundations	3x CF
	Largest section	Ø 84x80 cm