



5 11 052 0010 0

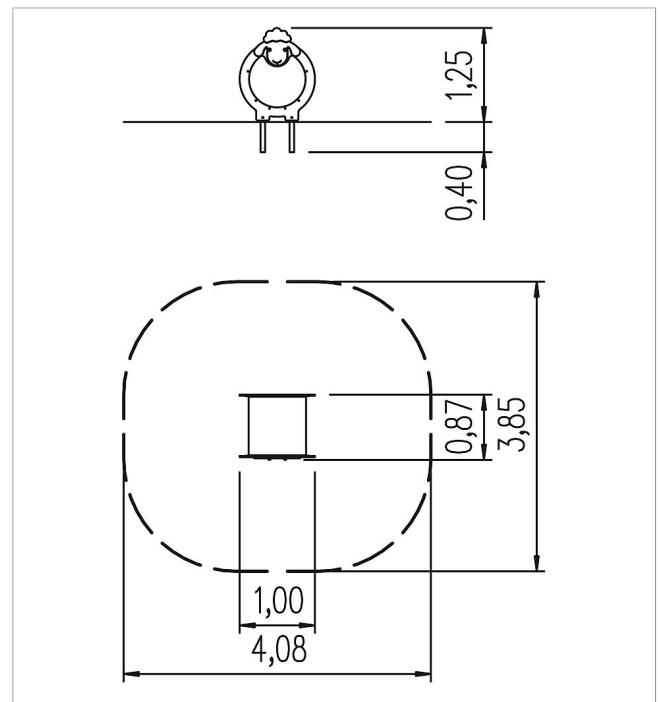
playo tunnel sheep Berta

made in germany



Scope of delivery

2x panel part: HPL
1x tunnel element: GFRP
ground anchor: galvanised steel



	Material	GFRP, HPL
	Minimum space	408x385x180 cm
	Free falling height	95 cm
	Impact protection net	-
	Foundations	2x CF or 2x PFs