

5 25 907 0130 0

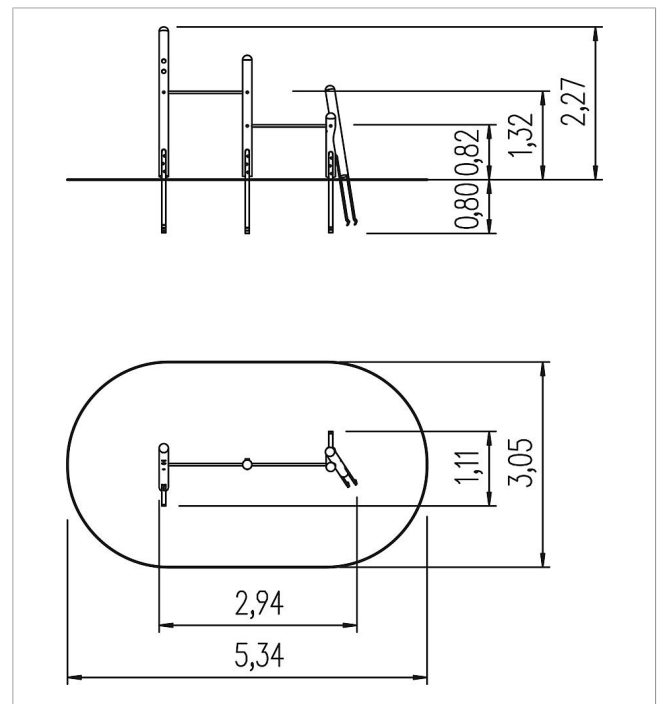
## climbo two-level horizontal bars Momo


made in germany



### Scope of delivery

4x post: SW  
2x horizontal bar: stainless steel  
post shoes: galvanised steel



	Material	SW pi
	Foundation level	FL 3
	Minimum space	534x305x312 cm
	Free falling height	133 cm
	Impact protection net	14,5 m <sup>2</sup>
	Foundations	3x CF