



5 66 443 1200 0

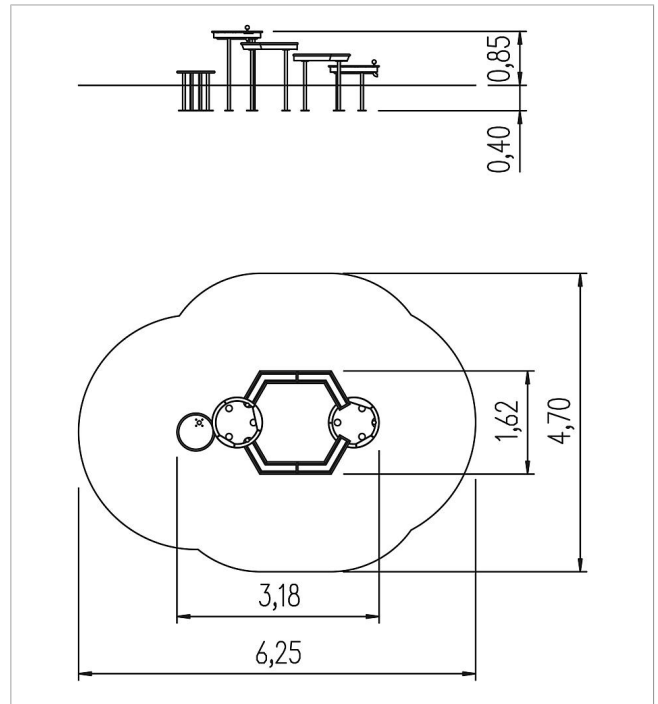
unique Water play unit Niagara

made in germany



Scope of delivery

- 1x pump platform: stainless steel
- 2x valve basin round with 1 valve: stainless steel, HPL
- 2x trough belt left: stainless steel
- 2x trough bent right: stainless steel



	Material	Stainless steel, HPL
	Foundation level	FL 1
	Minimum space	625x470x255 cm
	Free falling height	75 cm
	Impact protection net	23,0 m ²
	Foundations	4x CF or 10x PFs