

5 66 301 0

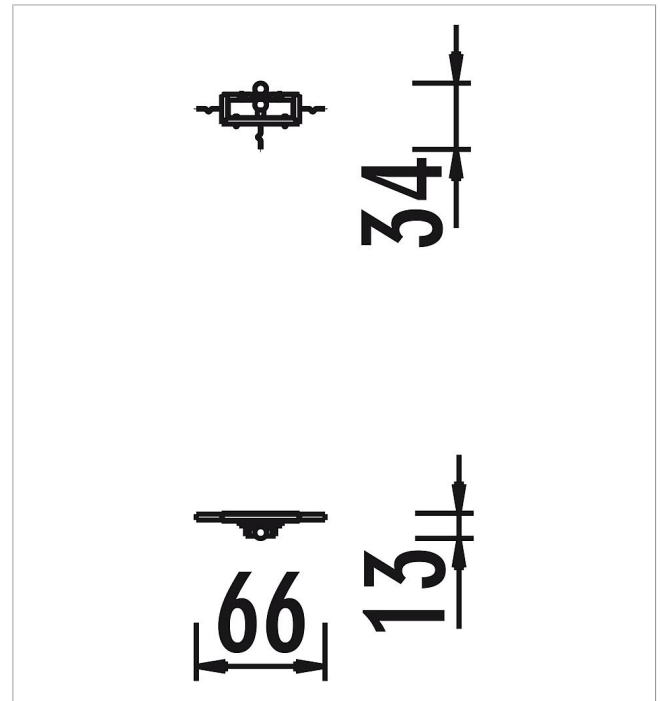
Basis Weight weir

made in germany



Scope of delivery

- 1x weight weir: stainless steel
- 1x mounting frame: stainless steel



	Material	Stainless steel
	Foundation level	FL 3
	Minimum space	66x13x180 cm
	Free falling height	-
	Impact protection net	-
	Foundations	1x CF
	Assembly	1 person/1 h
	Largest section	66x14x20 cm
	Heaviest section	10 kg