

5 56 072 0

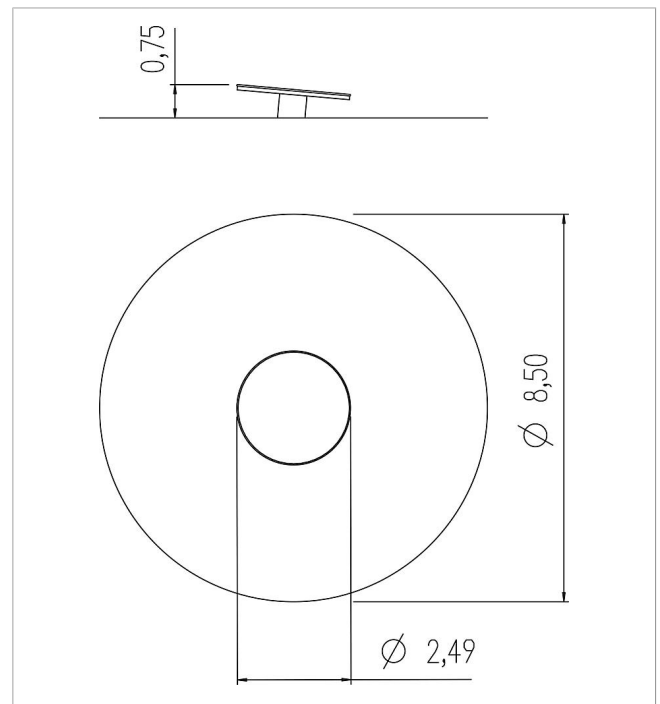
## Basis Whizzer Saturn Ø 250 cm

made in germany



### Scope of delivery

- 1x turntable Ø 250 cm, visible parts of stainless steel, frame structure hot-dip galvanised, lining rubber
- 1x bearing ball/conical roller bearings sealed, low-maintenance
- 1x ground anchor hot-dip galvanised



	Material	Stainless steel
	Foundation level	FL 3
	Minimum space	Ø 850x275 cm
	Free falling height	75 cm
	Impact protection net	57,0 m <sup>2</sup>
	Foundations	1x CF
	Assembly	2 persons/2 h
	Largest section	249x250x73 cm
	Heaviest section	200 kg