

5 25 003 0700 0

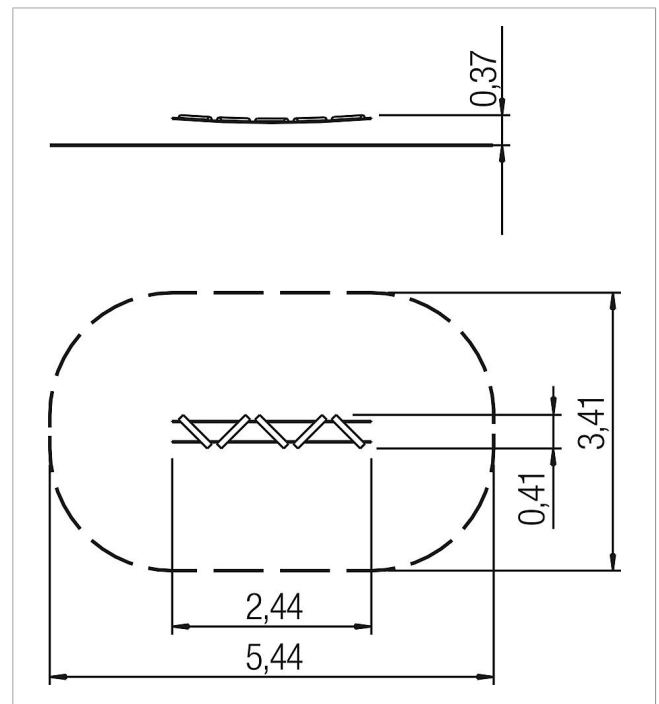
## active trail zigzag bridge L3

made in germany



### Scope of delivery

1x zigzag bridge pre-installed: hardwood oiled, plastic-coated steel cable



	Material	Eucalyptus
	Foundation level	-
	Minimum space	544x341x217 cm
	Free falling height	37 cm
	Impact protection net	-
	Foundations	-
	Assembly	1 person/0.5 h
	Largest section	-
	Heaviest section	8 kg